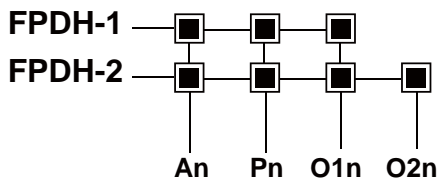




Applied Standards & Rules

| | |
|--------------------------|--|
| Measuring and conversion | IEC 688 / 1992 - 04 |
| Dielectrical strength | IEC 688 2KVac / 1 min. |
| Surge and Impulse test | ANSI C37.90 / 1989 IEC 255-3 (1989) 4KV 1.2 x 50 us |

Order form



| An: 电流输入范围 Input Ranges Current | | Vn: 电压输入范围 Input Ranges Voltage | | | Pn: 电源 rating Aux. Power Standard range | |
|------------------------------------|---------------|------------------------------------|---------------|---------------|--|------------------------------|
| A1 0-1mA | A2 0-2mA | V1 0-50mV | V2 0-100mV | V3 0-200mV | P1 AC110 V 120 V ± 15% | PD1 DC110V 120 V ± 15% |
| A3 0-5mA | A4 0-10mA | V4 0-500mV | V5 0-1V | V6 0-2V | P2 AC220 V 240 V ± 15% | PD2 DC220V 240V ± 15% |
| A5 0-20mA | A6 4-20mA | V7 0-5V | V8 1-5V | V9 0-10V | Ps Internal Power | PD3 DC24 V 24 V ± 20% |
| A7 0-50mA | A8 10-50mA | V10 2-10V | V11 0-120V | V12 0-200V | Py Specified | PDy Specified |
| A9 0-75mV | | V13 0-350V | V14 0-600V | | | |

| On: 输出 Output Range | O1 0-1mA | O2 0-20mA | O3 4-20mA | O4 0-5mA | O5 0-10mA | |
|------------------------|-------------|--------------|--------------|--------------|--------------|-------------|
| | O7 0-1V | O8 0-5V | O9 0-10V | O10 2-10V | O11 1-5V | O13 用户指定 |

Suzhou Surpon Instrument Co.,LTD

Building B,AscendasiHub,No.5 Xinghan Road,SIP.Suzhou

Tel: +86-512-68381801 E-mail:surpon@163.com

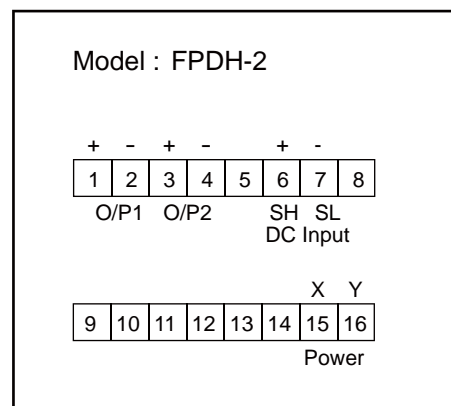
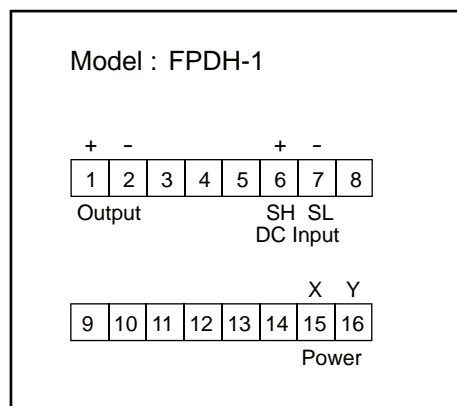
Fax: +86-512-68381803 http://www.surpon.com



Specification

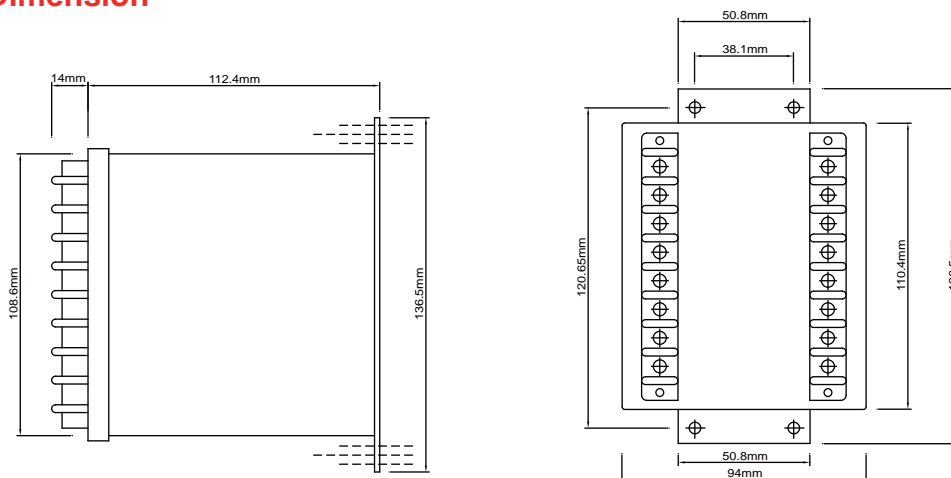
| | |
|--------------------------------------|--|
| Accuracy (23±3°C) | 0.25% of effective range |
| Linearity & repeatability | 0.05% typical |
| Dielectric strength | 2000Vac ... power / input & output terminals 2500Vac ... input / output / case |
| Output drive capability | ≤ 10mA for voltage mode, ≤ 10V for current mode |
| Maximum input over | ≤ 300Vrms continuous ... > 2V ranges ≤ 150Vrms continuous ... ≤ 2V ranges ≤ 150mA continuous for current input |
| Input resistance-ohm | ≥ 100M ... ≤ 2V ranges, ≥ 500K ... >2V ranges ≤ 20 ... for all current input range |
| Power effect | < 0.003% for per volt change |
| Response time & ripple | 250 ms typically, ripple < 0.1% rms or |
| Common mode rejection | 120dB, DC to 60Hz |
| Temperature stability | ≤ 0.007% ro per degree C |
| Storage condition | Temperature range -10 to 70°C, RH 20 to 95% non condensed |
| Operating condition | Temperature range -5 to 55°C, RH 20 to 95% non condensed |
| Power supply | ±10% of rated, less 3.5 VA for AC input ±10% of rated, less 3.5 Watt for DC input |
| Construction | Socket plug-in type with barrier terminals |

Terminal Connection



DC power option for terminal 15 (+), 16 (-)

Dimension



Suzhou Surpon Instrument Co.,LTD

Building B,AscendasiHub,No.5 Xinghan Road,SIP.Suzhou

Tel: +86-512-68381801 E-mail:surpon@163.com

Fax: +86-512-68381803 <http://www.surpon.com>

