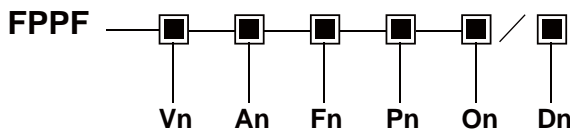




Applied Standards & Rules

Measuring and conversion	IEC 688 / 1992 - 04
Dielectrical strength	IEC 688 2KVac / 1 min.
Surge and Impulse test	ANSI C37.90 / 1989 IEC 255-3 (1989) 4KV 1.2 x 50 us

Order form



Example : FPPF-V1-A2-F2-P1-O3/D1

Input & Output parameters

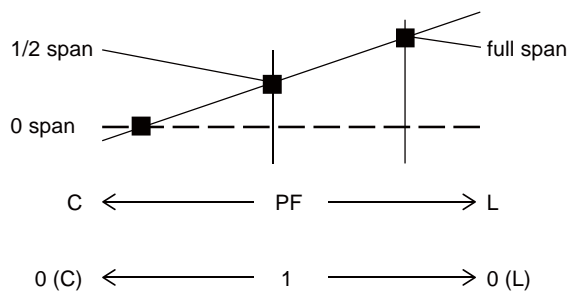
Vn : Voltage input	Vn rating range	V1	V2	V3	Vy Specified	On : Output		
		120 V	240 V	480 V		O1	O2	O3
An : Current input	An rating range	A1	A2	A3	Ay Specified	O4	O5	O6
Fn : Frequency input	Fn rating range	F1	F2		Fy Specified	O7	Oy	
Pn : Auxiliary power	Pn rating range	P1	P2	P3 Internal power (120V or 240V)				

PY : DC24 / 48 / 125 V ±15% or other range under specified

Calibration : Dn

Unipolar output (as 0-10V, 4-20mA, 0-10mA)

D1 : 0.5 (C) to 1 to 0.5 (L) vs 0 to 1/2 span to full span output
D2 : 0 (C) to 1 to 0 (L) vs 0 to 1/2 span to full span output

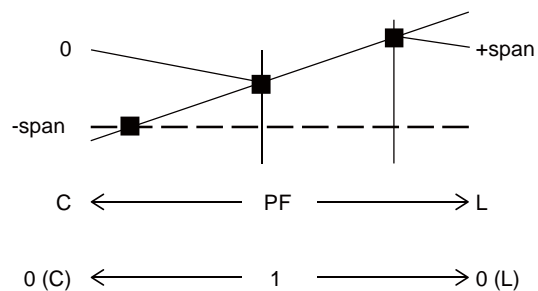


Note : (C) : capacitive load (L) : inductive load

Example : FPPF-V1-A2-F2-P1-O3/D1
 Input : AC 85-150V 0-5A 60Hz
 Output : 4-12-20mA vs 0.5(C) - 1 - 0.5(L)
 Aux. power : AC120V

Bipolar output (as ±1mA, ±10mA, ±10V)

D3 : 0.5 (C) to 1 to 0.5 (L) vs -span to 0 to +span output
D4 : 0 (C) to 1 to (L) vs -span to 0 to +span output



Note : (C) : capacitive load (L) : inductive load

Example : FPPF-V1-A2-F1-P1-O1/D3
 Input : AC 85-150V 0-5A 50Hz
 Output : -1mA - 0 - +1mA vs 0.5(C) - 1 - 0.5(L)
 Aux. power : AC120V



Suzhou Surpon Instrument Co.,LTD

Building B,AscendasiHub,No.5 Xinghan Road,SIP.Suzhou

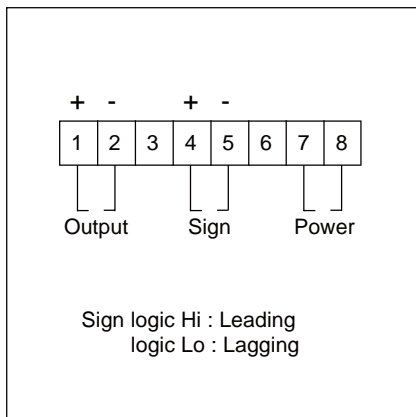
Tel: +86-512-68381801 E-mail:surpon@163.com

Fax: +86-512-68381803 http://www.surpon.com

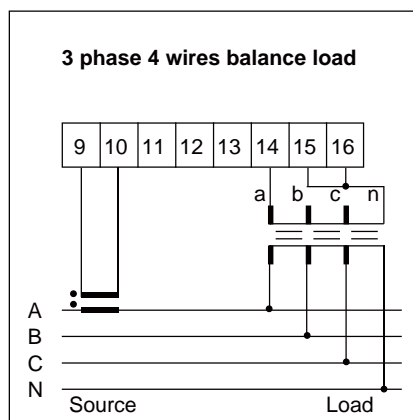
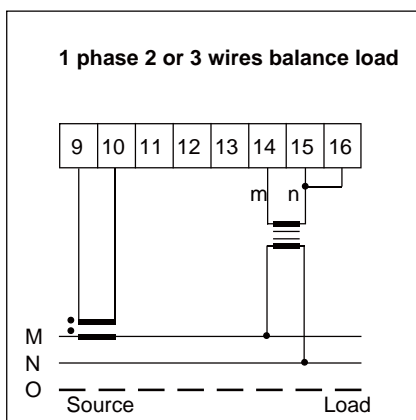
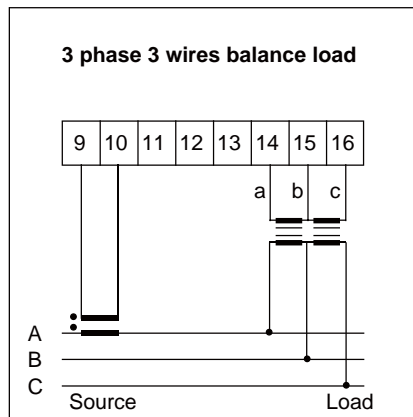
Specification

Accuracy (23±3°C)	0.25% RO + 0.3°		
Maximum output load	DC current mode : maximum 10V drop DC voltage mode : maximum 5mA drive		
Dielectric strength	AC 2KV 1 minute between terminals; AC 2.6KV 1 minute / terminals to case		
Surge and impulse test	ANSI C37.90 / 1989, IEC 255-3 (1989) 4 KV 1.2 x 50 us		
Maximum input over	Current related input	Voltage related input	
	1A / 5A	10A	
	4 x rated / continuous	2 x rated / continuous	1.5 x rated / continuous
	10 x rated / 10 seconds	25 x rated / 1 second	2 x rated / 10 seconds
	50 x rated / 1 second	50 x rated / 0.5 second	
	80 x rated / 0.5 second		
Input burden	Current less 0.2 VA; voltage less 0.1 VA		
Response time & ripple	≤400 ms for step change 0-99%	ripple less 0.5% ro peak to peak	
Frequency	Named frequency ± 2 Hz		
Waveform	Sinusoidal		
Stability	Temperature range (20 to 26°C)	long term stability / year	
	Maximum 70 ppm / °C	less 0.2% draft / year typically	
Storage condition	Temperature range -25 to 70°C, RH 20 to 95% non condensed		
Operating condition	Temperature range -20 to 65°C, RH 0 to 99% non condensed		
Magnetic field effect	< 0.01% under 100 ampere turns at 1M center		
Power dissipation	< 3.5 VA		

Terminal Connection



DC power option for terminal 7 (+), 8 (-)



Suzhou Surpon Instrument Co.,LTD

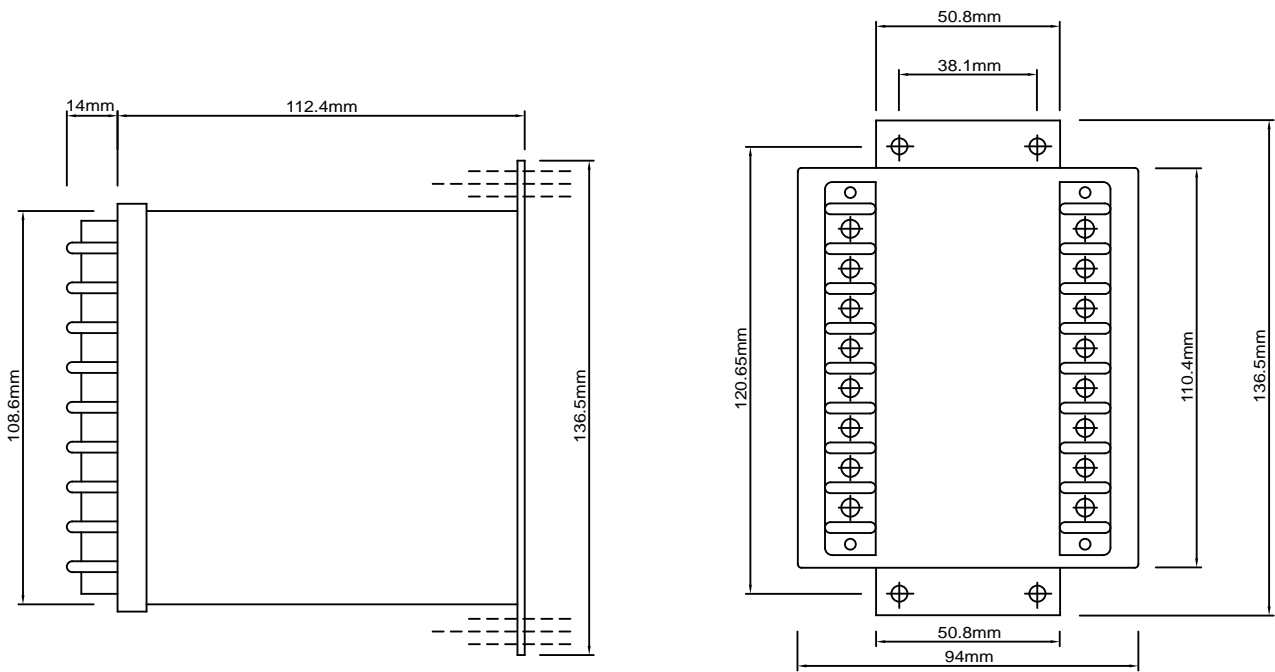
Building B,AscendasiHub,No.5 Xinghan Road,SIP.Suzhou

Tel: +86-512-68381801 E-mail:surpon@163.com

Fax: +86-512-68381803 <http://www.surpon.com>



Dimension



Suzhou Surpon Instrument Co.,LTD

Building B,AscendasiHub,No.5 Xinghan Road,SIP.Suzhou

Tel: +86-512-68381801 E-mail:surpon@163.com

Fax: +86-512-68381803 <http://www.surpon.com>