

WATT TRANSDUCER

FPW201

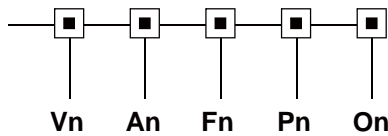


Applied Standards & Rules

| | |
|--------------------------|----------------------------------|
| Measuring and conversion | IEC 688 / 1992 - 04 |
| Dielectrical strength | IEC 688 2KVac / 1 min. |
| Surge and Impulse test | ANSI C37.90 / 1989 |
| | IEC 255-3 (1989) 4KV 1.2 x 50 us |

Order form

FPW201



Example : FPW201-V1-A2-F2-P1-O3

Input & Output parameters

| Vn : Voltage input | Vn rating range | V1 120 V 75 - 150 V | V2 240 V 150 - 300 V | V3 480 V 300 - 600 V | Vy Specified | On : Output | | |
|----------------------|-----------------------|-------------------------------|-------------------------------|----------------------------|-----------------|--|-----------------|-----------------|
| | | | | | | O1 0 - 1 mA | O2 0 - 20 mA | O3 4 - 20 mA |
| An : Current input | An rating range | A1 1 A 0 - 1.5 A | A2 5A 0 - 7.5 A | A3 10A 0 - 15 A | Ay Specified | O4 0 - 1 V | O5 0 - 5 V | O6 0 - 10 V |
| Fn : Frequency input | Fn rating range | F1 50 Hz 48 - 52 Hz | F2 60 Hz 58 - 62 Hz | | Fy Specified | O7 2 - 10 V | Oy Specified | |
| Pn : Auxiliary power | Pn rating range | P1 AC 120 V 120 V ± 15% | P2 AC 240 V 240 V ± 15% | Ps Internal Powered | Py Specified | Py : DC24 / 48 / 125 V ± 15% or other range under specified | | |

| Model | Application system | Std. calibration vs output full span (Watt) = D | | | | | | | | |
|--------|-------------------------------|--|----|-----|------------|----|-----|------------|----|-----|
| | | V1 = 120 V | | | V2 = 240 V | | | V3 = 480 V | | |
| Watt | Elements - Connection | 1A | 5A | 10A | 1A | 5A | 10A | 1A | 5A | 10A |
| FPW201 | 2E 3 phase 3 wires, unbalance | 200 | 1K | 2K | 400 | 2K | 4K | 800 | 4K | 8K |

Note

- Standard output calibration
bipolar 0 to ± 1mA for 0 to ± D Watts
4-12-20mA for -D to 0 to +D Watts
- External power mode suitably for all output types
Internal power mode, only suitably for 0-1mA / 0-20mA / 0-1V / 0-5V / 0-10V output



Suzhou Surpon Instrument Co.,LTD

Building B,AscendasiHub,No.5 Xinghan Road,SIP.Suzhou

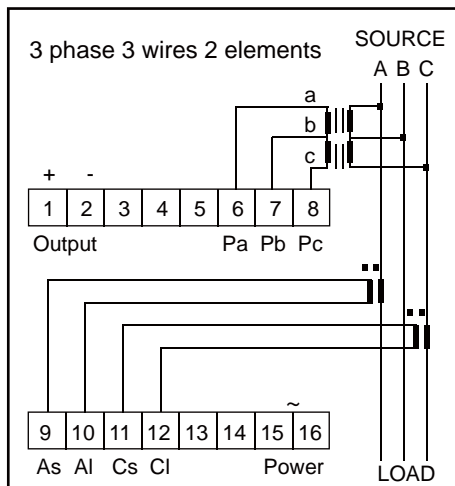
Tel: +86-512-68381801 E-mail:surpon@163.com

Fax: +86-512-68381803 http://www.surpon.com

Specification

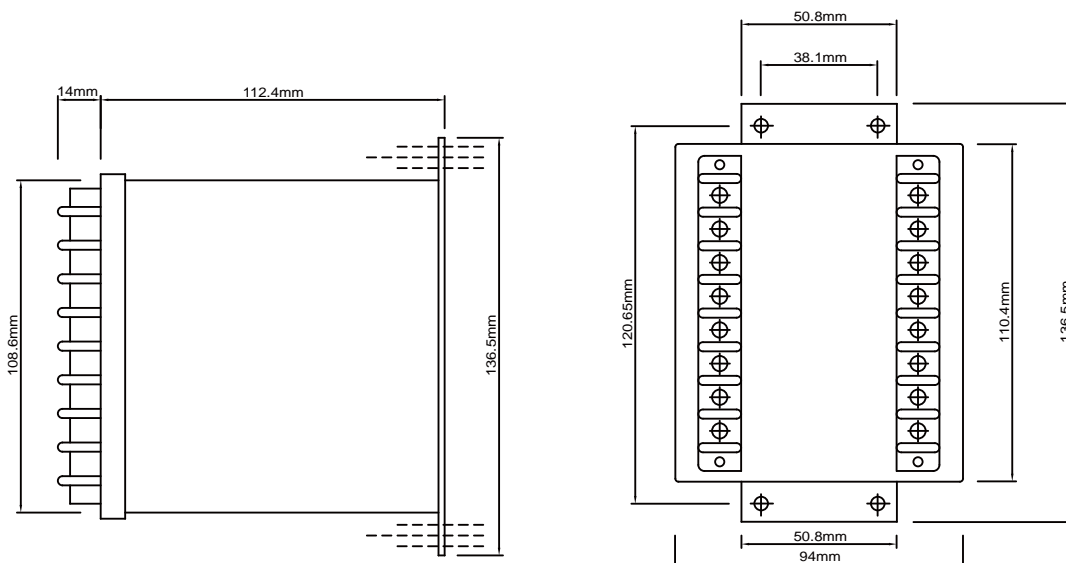
| | | | |
|-----------------------------------|---|----------------------------------|--------------------------|
| Accuracy (23±3°C) | 0.2% reading / PF ± 0.05% RO | | |
| Maximum output load | DC current mode : maximum 10V drop DC voltage mode : maximum 5mA drive | | |
| Dielectric strength | AC 2KV 1 minute between terminals; AC 2.6KV 1 minute / terminals to case | | |
| Surge and impulse test | ANSI C37.90 / 1989, IEC 255-3 (1989) 4 KV 1.2 x 50 us | | |
| Maximum input over | Current related input | Voltage related input | |
| | 1A / 5A | 10A | |
| | 4 x rated / continuous | 2 x rated / continuous | 1.5 x rated / continuous |
| | 10 x rated / 10 seconds | 25 x rated / 1 second | 2 x rated / 10 seconds |
| | 50 x rated / 1 second | 50 x rated / 0.5 second | |
| | 80 x rated / 0.5 second | | |
| Input burden | Current less 0.2 VA; voltage less 0.1 VA | | |
| Response time & ripple | ≤ 400 ms for step change 0-99% ripple less 0.5% ro peak to peak | | |
| Frequency | 50 ± 2 Hz; 60 ± 2 Hz; 400 ± 5 Hz | | |
| Waveform | Watt - 2% 3rd | | |
| Stability | Temperature range (20 to 26°C) | long term stability / year | |
| | Maximum 60 ppm / °C | less 0.2% draft / year typically | |
| Storage condition | Temperature range -25 to 70°C, RH 20 to 95% non condensed | | |
| Operating condition | Temperature range -20 to 65°C, RH 0 to 99% non condensed | | |
| Magnetic field effect | < 0.01% under 100 ampere turns at 1M center | | |
| Power dissipation | < 3.5 VA | | |

Terminal Connection



DC power option for terminal 15 (+), 16 (-)

Dimension



Suzhou Surpon Instrument Co.,LTD

Building B,AscendasiHub,No.5 Xinghan Road,SIP.Suzhou

Tel: +86-512-68381801 E-mail:surpon@163.com

Fax: +86-512-68381803 <http://www.surpon.com>

