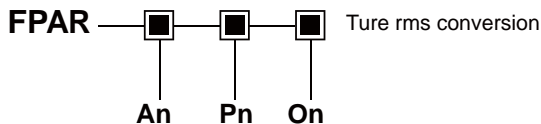




Applied Standards & Rules

Measuring and conversion	IEC 688 / 1992 - 04
Dielectrical strength	IEC 688 2KVac / 1 min.
Surge and Impulse test	ANSI C37.90 / 1989
	IEC 255-3 (1989) 4KV 1.2 x 50 us

Order form



Input & Output parameters

An : Current input	An rating range	A1 1 A 0 - 1.5 A	A2 5A 0 - 7.5 A	A3 10A 0 - 15 A	Ay Specified	On : Output		
						O1 0 - 1 mA	O2 0 - 20 mA	O3 4 - 20 mA
Pn : Auxiliary power	Pn rating range	P1 AC120 V 120 V ± 15%	P2 AC240 V 240 V ± 15%	Ps Internal Power	Py Specified	O4 0 - 1 V	O5 0 - 5 V	O6 0 - 10 V
						O7 2 - 10 V	Oy Specified	

Py : DC24 / 48 / 125 V ± 20% or other range under specified

Note

- External power mode suitably for all output types
Internal power mode, only suitably for 0-1mA / 0-20mA / 0-1V / 0-5V / 0-10V output



Suzhou Surpon Instrument Co.,LTD

Building B,AscendasiHub,No.5 Xinghan Road,SIP.Suzhou

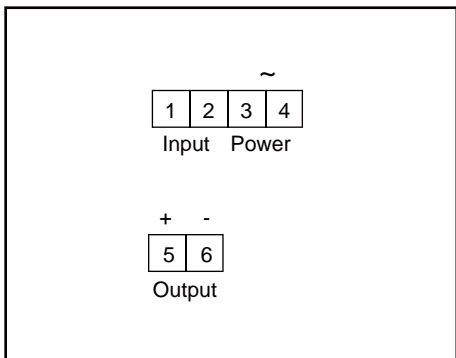
Tel: +86-512-68381801 E-mail:surpon@163.com

Fax: +86-512-68381803 http://www.surpon.com

Specification

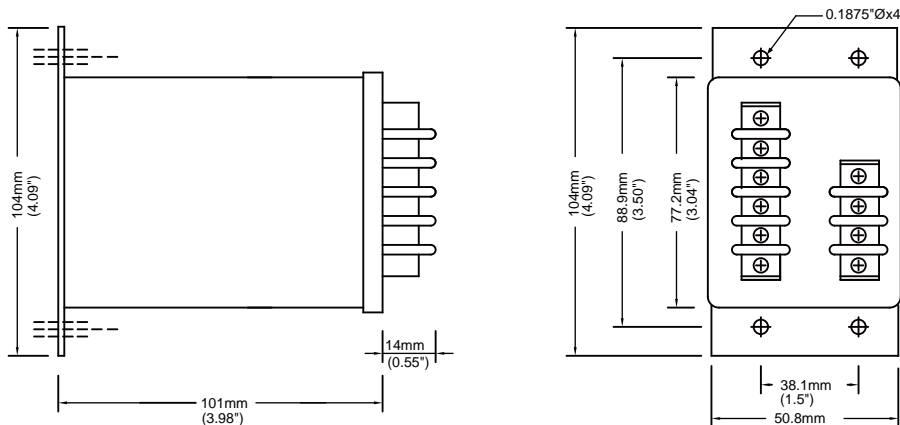
Accuracy (23±3°C)	0.4% RO	
Maximum output load	DC current mode : maximum 10V drop DC voltage mode : maximum 5mA drive	
Dielectric strength	AC 2KV 1 minute between terminals; AC 2.6KV 1 minute / terminals to case	
Surge and impulse test	ANSI C37.90 / 1989, IEC 255-3 (1989) 4 KV 1.2 x 50 us	
Maximum input over	1A / 5A	10A
	4 x rated / continuous	2 x rated / continuous
	10 x rated / 10 seconds	25 x rated / 1 second
	50 x rated / 1 second	50 x rated / 0.5 second
	80 x rated / 0.5 second	
Input burden	Current less 0.2 VA	
Response time & ripple	≤ 400 ms for step change 0-99%	ripple less 0.5% ro peak to peak
Frequency	45 ~ 400 Hz	
Stability	Temperature range (20 to 30°C)	long term stability / year
	Maximum 60 ppm / °C	less 0.2% draft / year typically
Storage condition	Temperature range -25 to 70°C, RH 20 to 95% non condensed	
Operating condition	Temperature range -20 to 65°C, RH 0 to 99% non condensed	
Magnetic field effect	< 0.01% under 100 ampere turns at 1M center	
Power dissipation	Maximum 3.5 VA	

Terminal Connection



DC power option for terminal 3(+), 4(-)

Dimension



Suzhou Surpon Instrument Co.,LTD

Building B,AscendasiHub,No.5 Xinghan Road,SIP.Suzhou

Tel: +86-512-68381801 E-mail:surpon@163.com

Fax: +86-512-68381803 <http://www.surpon.com>