

XP Series Signal Isolator (Current Loop Supply) Data Sheet

1. General

XP Series Signal Isolator (Current Loop Supply) (one input, one to four outputs) is matched with temperature, flow, pressure, liquid level and other 2-wire transmitters in the automatic control system, powers a 4~20 mA DC current loop, transmits, converts, isolates, and transfers industrial signals. It meets users' needs of monitoring remote data. It is widely used in data acquisition, signal transmission and conversion, PLC, DCS and other industrial measurement and control systems in the fields of machinery, electricity, telecommunications, petroleum, chemical industry, steel, sewage treatment, building construction, etc. It is used to perfect and supplement the function of the system I/O plug-in, improve the anti-interference ability of the automatic control system, and ensure the stability and reliability of the system.



2. Features

- ◆ Input, output and power are completely isolated, with strong anti-interference ability
- ◆ High accuracy, high linearity, long - term running stability
- ◆ Modular design, small size, low power consumption, suitable for intensive installation
- ◆ Plug-in construction, easy installation, disassembly and maintenance

3. Specifications

Power supply: DC24V±10%, AC220V

Power consumption: ≤2.5W

Input: DC 4-20mA

Supply output: DC 19~26V, Shortcircuit Protection

Current limited: 30 mA max.

Output: DC voltage, DC current

Load resistance: voltage output ≥10KΩ

current output ≤350Ω

Accuracy: ±0.1%F.S, ±0.2%F.S

Temp. coefficient: ≤±100PPM/°C

Insulation resistance: ≥100MΩ/500VDC

Dielectric strength: input/output ≥2000VAC (1min)

input/power ≥2000VAC (1min)

output/power ≥1000VAC (1min)

Operating temperature: 0~50°C

Storage temperature: -40~85°C

Operating humidity: 10~90%RH

Atmospheric pressure: 86~106kPa

Installation: DIN 35mm rail

Dimension: 122mm×18mm×96mm

4. Ordering Information

XPD series code table :

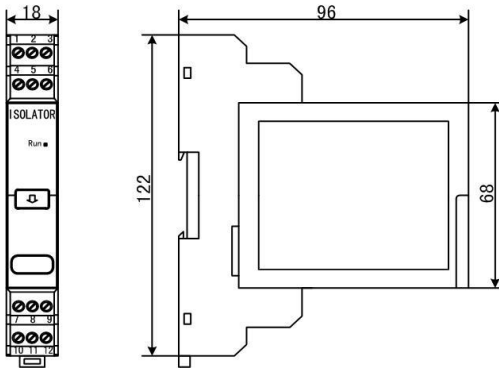
XPD		Input 1	Output 1	Output 2	Output 3	Output 4	Power supply
Code	Rang	Code	Rang	Code	Rang	Code	Rang
A420	4-20mA	A420	4-20mA	A420	4-20mA	A420	4-20mA
H420	4-20mA+Hart	A020	0-20mA	A020	0-20mA	A020	0-20mA
		V010	0-10V	V010	0-10V	V010	0-10V
		V15	1-5V	V15	1-5V	V15	1-5V
		H420	4-20mA+Hart	L420	2-wire 4-20mA	Y	Option
		L420	2-wire 4-20mA	Y	Option	Y	Option
		Y	Option		None		None

Current Loop Supply(isolated)

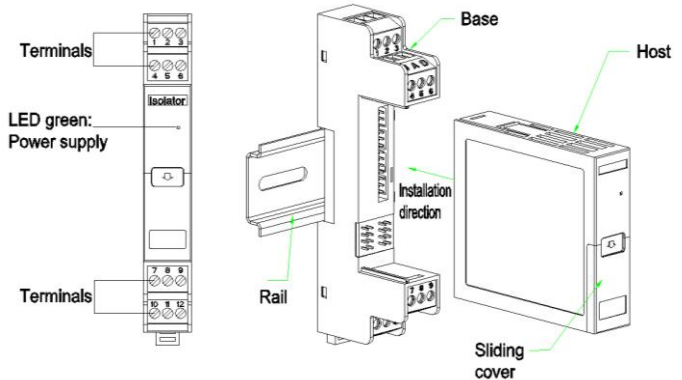
Output Loop

5. Dimension & Installation

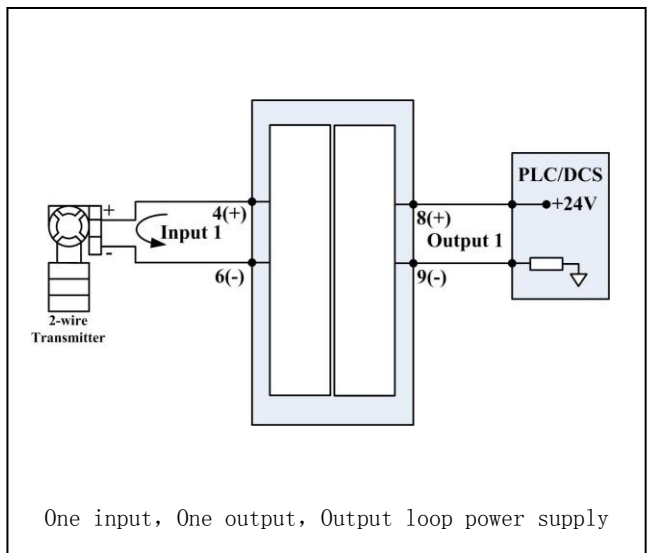
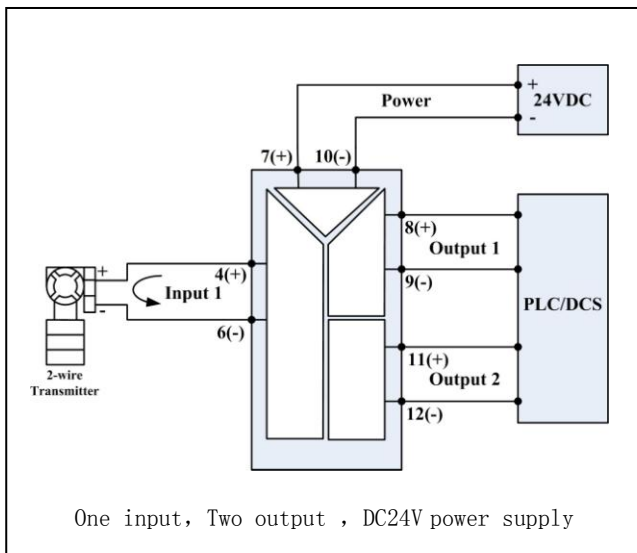
Dimension (122mm×18mm×96mm)



Installation



6. Typical Connection



Note: The connection diagrams given in this manual are typical. When installing, please refer to the connection diagram on the product.

7. Examples of ordering

Refer to the code table above and provide the model number correctly.

Example 1 input: one channel 2-wire 4-20mA, output: one channel 4-20mA, power supply: 24VDC
order model: XPD-A420-A420 -D

Example 2 input: one channel 2-wire 4-20mA, output: two channels 4-20mA, power supply: 24VDC
order model: XPD-A420- A420- A420-D (abbreviated as: XPD-A420-2A420-D)

Example 3 input: one channel 2-wire 4-20mA, output: four channels 4-20mA, power supply: 24VDC
order model: XPD-A420- A420- A420- A420- A420-D (abbreviated as: XPD-A420-4A420-D)

Example 4 input: one channel 2-wire 4-20mA, output: one channel 2-wire 4-20mA,
power supply: output loop
order model: XPD--A420-L420



Please Scan