

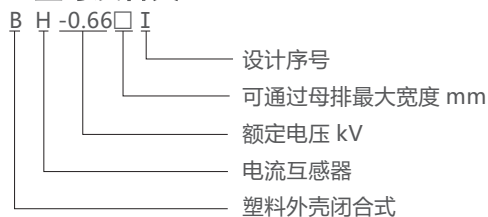
BH-0.66 I 型电流互感器

1 适用范围

BH-0.66 I 型电流互感器主要用于户内，供额定电压为0.66kV及以下，额定频率为50Hz的交流电路中作为电流、电能测量或计量用。产品为塑壳式电流互感器，广泛应用于成套柜体，其安装方法可采用母排固定和底板固定安装方法，适合水平或垂直安装，一次导线可为母排或电缆。

符合标准：GB/T 20840.2。


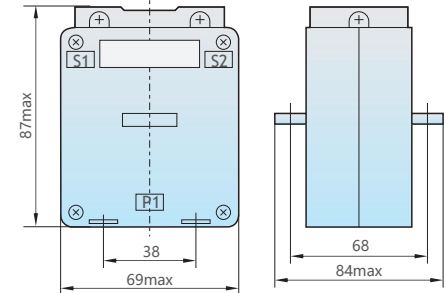

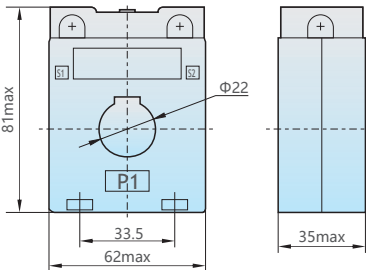
2 型号及含义




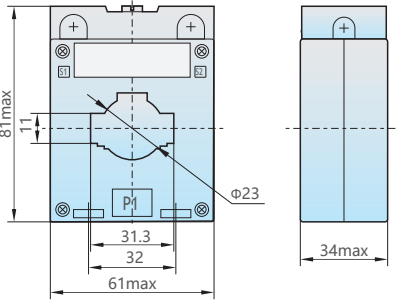

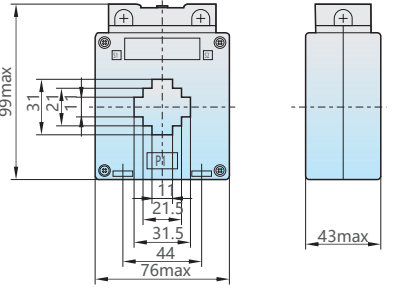

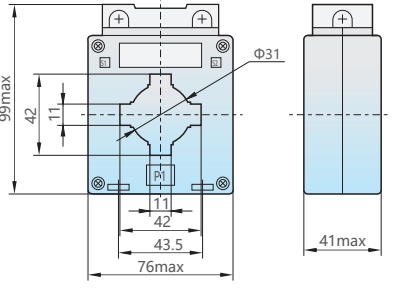
3 正常工作条件和安装条件

- 3.1 安装场所：户内。
- 3.2 环境温度：-5℃~40℃。
- 3.3 空气湿度：一个月内相对湿度平均值不超过90%。
- 3.4 海拔高度：不超过1000m。
- 3.5 大气条件：大气中无明显灰尘、烟、腐蚀性气体、蒸气或盐的污染。

4 主要技术参数及外形安装尺寸

| | 电流比A | 额定负荷VA | | | | | 穿心匝数 | 外形及安装尺寸 |
|---|-------|--------|------|-------|------|-------|--|---------|
| | | 1级 | 0.5级 | 0.5S级 | 0.2级 | 0.2S级 | | |
|  BH-0.66 实心 | 5/5 | 5 | 2.5 | 2.5 | 2.5 | |  | |
| | 10/5 | 5 | 2.5 | 2.5 | 2.5 | | | |
| | 15/5 | 5 | 2.5 | 2.5 | 2.5 | | | |
| | 20/5 | 5 | 2.5 | 2.5 | 2.5 | | | |
| | 25/5 | 5 | 2.5 | 2.5 | 2.5 | | | |
| | 30/5 | 5 | 2.5 | 2.5 | 2.5 | | | |
| | 40/5 | 5 | 2.5 | 2.5 | 2.5 | | | |
| | 50/5 | 5 | 2.5 | 2.5 | 2.5 | | | |
| | 75/5 | 5 | 2.5 | 2.5 | 2.5 | | | |
| | 100/5 | 5 | 2.5 | 2.5 | 2.5 | | | |
| | 5/1 | 5 | 2.5 | | | | | |
| | 10/1 | 5 | 2.5 | | | | | |
| | 15/1 | 5 | 2.5 | | | | | |
| | 20/1 | 5 | 2.5 | | | | | |
| | 25/1 | 5 | 2.5 | | | | | |
|  BH-0.66 20 I | 75/5 | 2.5 | | | | 1 |  | |
| | 100/5 | 2.5 | | | | 1 | | |
| | | | | | | | | |

低压电流互感器

| | 电流比A | 额定负荷VA | | | | | 穿心匝数 | 外形及安装尺寸 |
|---|-------|--------|-------|-------|------|-------|------|--|
| | | 1级 | 0.5级 | 0.5S级 | 0.2级 | 0.2S级 | | |
|  | 30/5 | 5 | 2.5 | | | | 5 |  |
| | 50/5 | 5 | 2.5 | | | | 3 | |
| | 75/5 | 5 | 2.5 | | | | 2 | |
| | 75/5 | 2.5 | | | | | 1 | |
| | 100/5 | 2.5 | | | | | 1 | |
| | 100/5 | 5 | 5 | | | | 2 | |
| | 150/5 | 5 | 2.5 | | | | 1 | |
| | 200/5 | 5 | 5 | | | | 1 | |
| | 250/5 | 5 | 5 | | | | 1 | |
| | 300/5 | 5 | 5 | | | | 1 | |
| | 400/5 | 5 | 5 | | | | 1 | |
| | 30/1 | 2.5 | 2.5 | | | | 5 | |
| | 50/1 | 2.5 | 2.5 | | | | 3 | |
| | 75/1 | 1 | | | | | 1 | |
| | 75/1 | 2.5 | 2.5 | | | | 2 | |
| | 100/1 | 2.5 | 1 | | | | 1 | |
| | 100/1 | 5 | 5 | | | | 2 | |
| | 150/1 | 2.5 | 2.5 | | | | 1 | |
| | 200/1 | 5 | 5 | | | | 1 | |
| | 250/1 | 5 | 5 | | | | 1 | |
| 300/1 | 5 | 5 | | | | 1 | | |
|  | 30/5 | 5 | 2.5 | 2.5 | 2.5 | 2.5 | 5 |  |
| | 50/5 | 5 | 2.5 | 2.5 | 2.5 | 2.5 | 3 | |
| | 50/5 | 2.5 | 2.5 | 2.5 | 2.5 | | 1 | |
| | 75/5 | 5 | 2.5 | 2.5 | 2.5 | 2.5 | 2 | |
| | 75/5 | 5 | 2.5 | 2.5 | 2.5 | 2.5 | 1 | |
| | 100/5 | 5 | 2.5 | 2.5 | 2.5 | 2.5 | 1 | |
| | 100/5 | 5、10 | 5、10 | 5 | 5 | 5 | 2 | |
| | 150/5 | 5 | 2.5、5 | 2.5 | 2.5 | 2.5 | 1 | |
| | 200/5 | 5、10 | 5、10 | 5 | 5 | 5 | 1 | |
| | 250/5 | 5、10 | 5、10 | 5 | 5 | 5 | 1 | |
| | 300/5 | 5、10 | 5、10 | 5 | 5 | 5 | 1 | |
| | 400/5 | 5、10 | 5、10 | 5 | 5 | 5 | 1 | |
| | 30/1 | 2.5 | 2.5 | 2.5 | 2.5 | 2.5 | 5 | |
| | 50/1 | 2.5 | 2.5 | 2.5 | 2.5 | 2.5 | 3 | |
| | 50/1 | 1 | 1 | | | | 1 | |
| | 75/1 | 2.5 | 2.5 | 2.5 | 2.5 | 2.5 | 2 | |
| | 75/1 | 2.5 | 2.5 | | | | 1 | |
| | 100/1 | 5 | 5 | 5 | 5 | 5 | 2 | |
| | 100/1 | 2.5 | 2.5 | | | | 1 | |
| | 150/1 | 2.5 | 2.5 | 2.5 | 2.5 | 2.5 | 1 | |
| 200/1 | 5 | 5 | 5 | 5 | 5 | 1 | | |
| 250/1 | 5 | 5 | 5 | 5 | 5 | 1 | | |
|  | 30/5 | 5 | 2.5 | 2.5 | 2.5 | 2.5 | 5 |  |
| | 50/5 | 5 | 2.5 | 2.5 | 2.5 | 2.5 | 3 | |
| | 75/5 | 5 | 2.5 | 2.5 | 2.5 | 2.5 | 2 | |
| | 75/5 | 2.5 | | | | | 1 | |
| | 100/5 | 2.5 | 2.5 | | | | 1 | |
| | 100/5 | 5 | 5 | 5 | 5 | 2.5 | 2 | |
| | 150/5 | 5 | 2.5 | 2.5 | 2.5 | 2.5 | 1 | |
| | 200/5 | 5 | 5 | 5 | 5 | 2.5 | 1 | |
| | 250/5 | 5 | 5 | 5 | 5 | 5 | 1 | |
| | 300/5 | 5 | 5 | 5 | 5 | 5 | 1 | |
| | 400/5 | 5 | 5 | 5 | 5 | 5 | 1 | |
| | 500/5 | 10 | 10 | 5 | 5 | 5 | 1 | |
| | 600/5 | 10 | 10 | 10 | 10 | 5 | 1 | |
| | 750/5 | 10 | 10 | 10 | 10 | 5 | 1 | |
| | 800/5 | 10 | 10 | 10 | 10 | 5 | 1 | |
| | 30/1 | 5 | 2.5 | 2.5 | 2.5 | 2.5 | 5 | |
| | 50/1 | 5 | 2.5 | 2.5 | 2.5 | 2.5 | 3 | |
| | 75/1 | 5 | 2.5 | 2.5 | 2.5 | 2.5 | 2 | |
| | 100/1 | 5 | 5 | 5 | 5 | 5 | 2 | |
| | 100/1 | 1 | 1 | | | | 1 | |

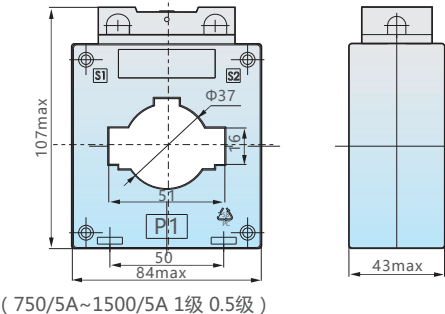
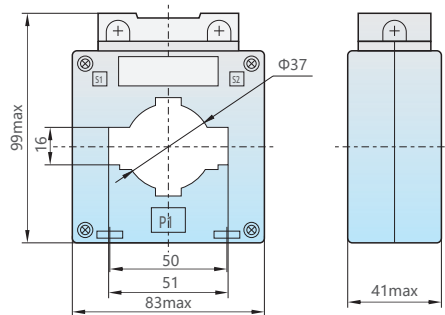
| | 电流比A | 额定负荷VA | | | | | 穿心匝数 | 外形及安装尺寸 |
|--|--------|--------|------|-------|------|-------|------|---------|
| | | 1级 | 0.5级 | 0.5S级 | 0.2级 | 0.2S级 | | |
| | 150/1 | 2.5 | 2.5 | 2.5 | 2.5 | 2.5 | 1 | |
| | 200/1 | 5 | 5 | 5 | 5 | 5 | 1 | |
| | 250/1 | 5 | 5 | 5 | 5 | 5 | 1 | |
| | 300/1 | 5 | 5 | 5 | 5 | 5 | 1 | |
| | 400/1 | 5 | 5 | 5 | 5 | 5 | 1 | |
| | 500/1 | 10 | 10 | 5 | 5 | 5 | 1 | |
| | 150/5 | 2.5 | 2.5 | 2.5 | 2.5 | 2.5 | 1 | |
| | 200/5 | 5 | 5 | 2.5 | 2.5 | 2.5 | 1 | |
| | 250/5 | 5 | 5 | 2.5 | 2.5 | 2.5 | 1 | |
| | 300/5 | 5 | 5 | 5 | 5 | 5 | 1 | |
| | 400/5 | 5 | 5 | 5 | 5 | 5 | 1 | |
| | 500/5 | 10 | 10 | 5 | 5 | 5 | 1 | |
| | 600/5 | 10 | 10 | 5 | 5 | 5 | 1 | |
| | 750/5 | 10 | 10 | 10 | 10 | 5 | 1 | |
| | 800/5 | 10 | 10 | 10 | 10 | 5 | 1 | |
| | 1000/5 | 10 | 10 | 10 | 10 | 5 | 1 | |
| | 1200/5 | 20 | 20 | 20 | 20 | 5 | 1 | |
| | 1500/5 | 20 | 20 | 20 | 20 | 10 | 1 | |
| | 150/1 | 2.5 | | | | | 1 | |
| | 200/1 | 5 | 2.5 | 2.5 | 2.5 | 2.5 | 1 | |
| | 250/1 | 5 | 5 | 5 | 5 | 5 | 1 | |
| | 300/1 | 5 | 5 | 5 | 5 | 5 | 1 | |
| | 400/1 | 5 | 5 | 5 | 5 | 5 | 1 | |
| | 500/1 | 10 | 10 | 5 | 5 | 5 | 1 | |
| | 600/1 | 10 | 10 | 5 | 5 | 5 | 1 | |
| | 750/1 | 10 | 10 | 5 | 5 | 5 | 1 | |
| | 800/1 | 10 | 10 | 5 | 5 | 5 | 1 | |
| | 1000/1 | 10 | 10 | 5 | 5 | 5 | 1 | |
| | 1200/1 | 10 | 10 | 5 | 5 | 5 | 5 | |
| | 200/5 | 5 | 2.5 | 2.5 | 2.5 | 2.5 | 1 | |
| | 250/5 | 5 | 5 | 2.5 | 2.5 | 2.5 | 1 | |
| | 300/5 | 5 | 5 | 5 | 5 | 2.5 | 1 | |
| | 400/5 | 5 | 5 | 5 | 5 | 5 | 1 | |
| | 500/5 | 10 | 10 | 5 | 5 | 5 | 1 | |
| | 600/5 | 10 | 10 | 5 | 5 | 5 | 1 | |
| | 750/5 | 10 | 10 | 10 | 10 | 5 | 1 | |
| | 800/5 | 10 | 10 | 10 | 10 | 5 | 1 | |
| | 1000/5 | 10 | 10 | 10 | 10 | 5 | 1 | |
| | 1200/5 | 20 | 20 | 20 | 20 | 5 | 1 | |
| | 1500/5 | 20 | 20 | 20 | 20 | 10 | 1 | |
| | 2000/5 | 20 | 20 | 20 | 20 | 10 | 1 | |
| | 200/1 | 5 | | | | | 1 | |
| | 250/1 | 5 | 5 | | | | 1 | |
| | 300/1 | 5 | 5 | 5 | 5 | 5 | 1 | |
| | 400/1 | 5 | 5 | 5 | 5 | 5 | 1 | |
| | 500/1 | 10 | 10 | 5 | 5 | 5 | 1 | |
| | 600/1 | 10 | 10 | 5 | 5 | 5 | 1 | |
| | 750/1 | 10 | 10 | 5 | 5 | 5 | 1 | |
| | 800/1 | 10 | 10 | 5 | 5 | 5 | 1 | |
| | 1000/1 | 10 | 10 | 5 | 5 | 5 | 1 | |
| | 1200/1 | 20 | 20 | 5 | 5 | 5 | 1 | |
| | 1500/1 | 20 | 20 | 10 | 10 | 10 | 1 | |



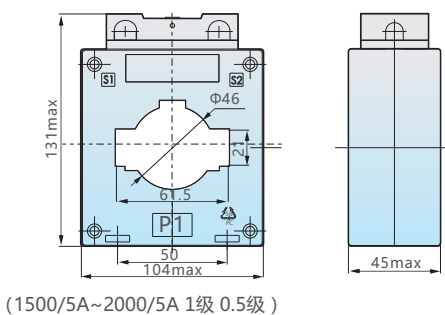
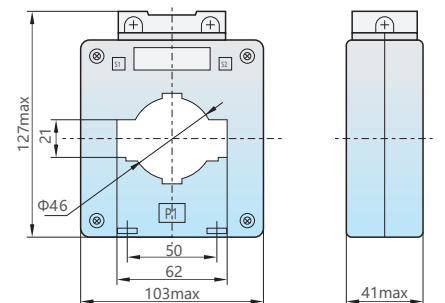
BH-0.66 50 I



BH-0.66 60 I


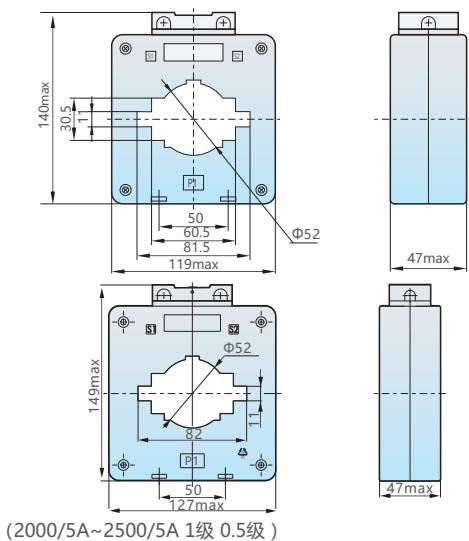

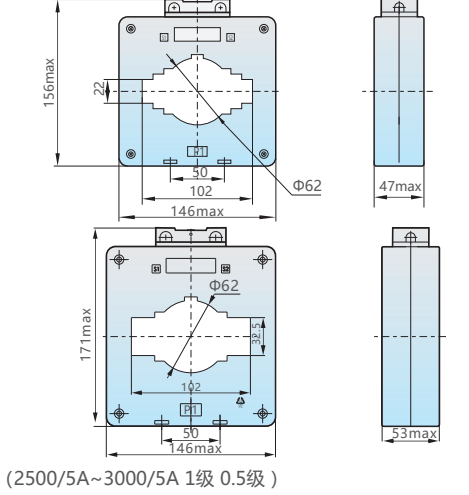

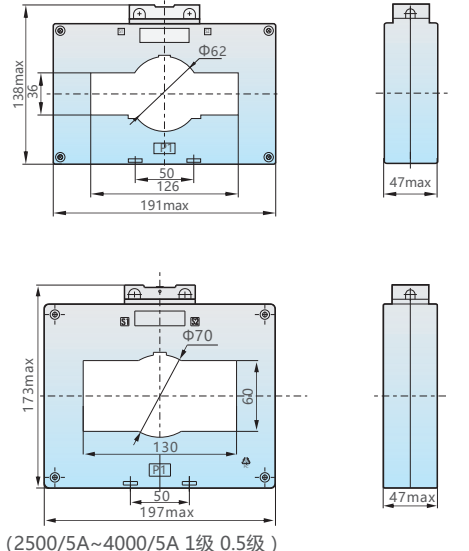


(750/5A~1500/5A 1级 0.5级)

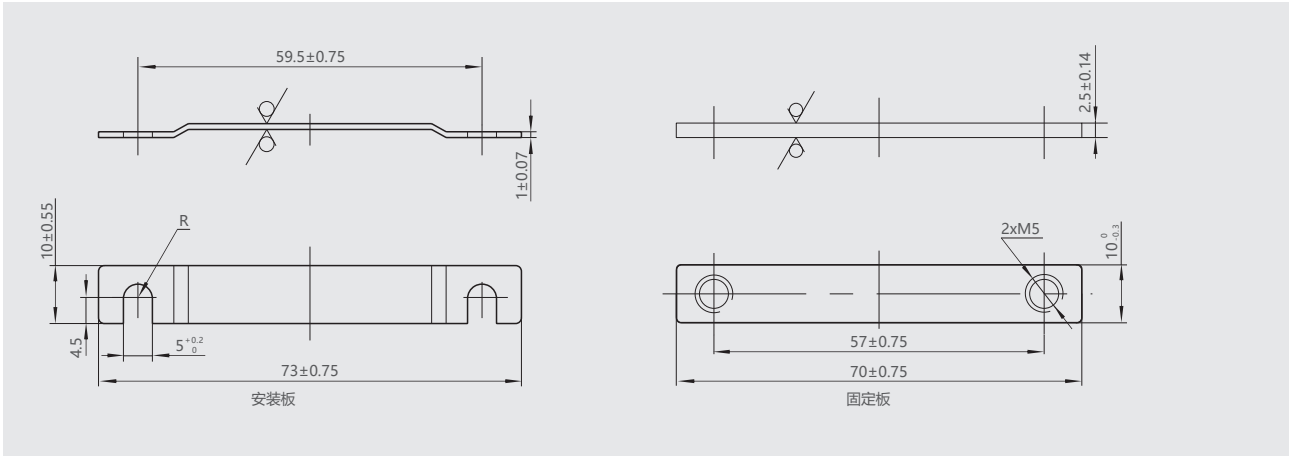


(1500/5A~2000/5A 1级 0.5级)

低压电流互感器

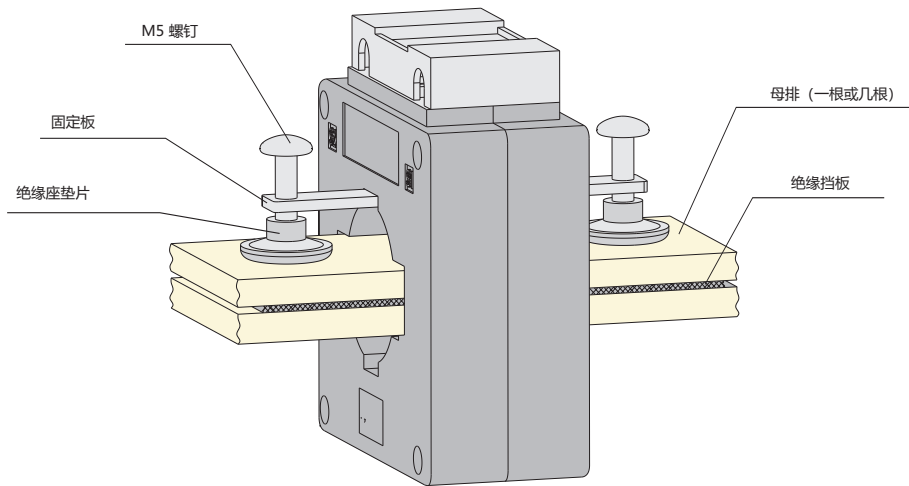
| | 电流比A | 额定负荷VA | | | | | 穿心匝数 | 外形及安装尺寸 |
|--|--------|--------|------|-------|------|-------|------|---|
| | | 1级 | 0.5级 | 0.5S级 | 0.2级 | 0.2S级 | | |
|  BH-0.66 80 I | 300/5 | 5 | 5 | 2.5 | 2.5 | 2.5 | 1 |  (2000/5A~2500/5A 1级 0.5级) |
| | 400/5 | 5 | 5 | 2.5 | 2.5 | 2.5 | 1 | |
| | 500/5 | 10 | 10 | 5 | 5 | 5 | 1 | |
| | 600/5 | 10 | 10 | 5 | 5 | 5 | 1 | |
| | 750/5 | 10 | 10 | 10 | 10 | 5 | 1 | |
| | 800/5 | 10 | 10 | 10 | 10 | 5 | 1 | |
| | 1000/5 | 10 | 10 | 10 | 10 | 5 | 1 | |
| | 1200/5 | 20 | 20 | 20 | 20 | 5 | 1 | |
| | 1500/5 | 20 | 20 | 20 | 20 | 10 | 1 | |
| | 2000/5 | 20 | 20 | 20 | 20 | 10 | 1 | |
| | 2500/5 | 30 | 30 | 30 | 30 | 10 | 1 | |
| | 300/1 | 5 | 5 | | | | 1 | |
| | 400/1 | 5 | 5 | 5 | 5 | 5 | 1 | |
| | 500/1 | 10 | 10 | 5 | 5 | 5 | 1 | |
| | 600/1 | 10 | 10 | 5 | 5 | 5 | 1 | |
| 750/1 | 10 | 10 | 5 | 5 | 5 | 1 | | |
| 800/1 | 10 | 10 | 5 | 5 | 5 | 1 | | |
| 1000/1 | 10 | 10 | 5 | 5 | 5 | 1 | | |
| 1200/1 | 20 | 20 | 5 | 5 | 5 | 1 | | |
| 1500/1 | 20 | 20 | 10 | 10 | 10 | 1 | | |
| 2000/1 | 20 | 20 | 10 | 10 | 10 | 1 | | |
|  BH-0.66 100 I | 600/5 | 10 | 10 | 5 | 5 | 5 | 1 |  (2500/5A~3000/5A 1级 0.5级) |
| | 750/5 | 10 | 10 | 10 | 10 | 5 | 1 | |
| | 800/5 | 10 | 10 | 10 | 10 | 5 | 1 | |
| | 1000/5 | 10 | 10 | 10 | 10 | 5 | 1 | |
| | 1200/5 | 20 | 20 | 20 | 20 | 5 | 1 | |
| | 1500/5 | 20 | 20 | 20 | 20 | 10 | 1 | |
| | 2000/5 | 20 | 20 | 20 | 20 | 10 | 1 | |
| | 2500/5 | 30 | 30 | 30 | 30 | 10 | 1 | |
| | 3000/5 | 30 | 30 | 30 | 30 | 10 | 1 | |
| | 600/1 | 10 | 10 | 5 | 5 | 5 | 1 | |
| | 750/1 | 10 | 10 | 5 | 5 | 5 | 1 | |
| | 800/1 | 10 | 10 | 5 | 5 | 5 | 1 | |
| | 1000/1 | 10 | 10 | 5 | 5 | 5 | 1 | |
| | 1200/1 | 20 | 20 | 5 | 5 | 5 | 1 | |
| | 1500/1 | 20 | 20 | 10 | 10 | 10 | 1 | |
| 2000/1 | 20 | 20 | 10 | 10 | 10 | 1 | | |
| 2500/1 | 30 | 30 | 10 | 10 | 10 | 1 | | |
|  BH-0.66 120 I | 1000/5 | 10 | 10 | 10 | 10 | 5 | 1 |  (2500/5A~4000/5A 1级 0.5级) |
| | 1200/5 | 20 | 20 | 20 | 20 | 5 | 1 | |
| | 1500/5 | 20 | 20 | 20 | 20 | 10 | 1 | |
| | 2000/5 | 20 | 20 | 20 | 20 | 10 | 1 | |
| | 2500/5 | 30 | 30 | 30 | 30 | 10 | 1 | |
| | 3000/5 | 30 | 30 | 30 | 30 | 10 | 1 | |
| | 4000/5 | 30 | 30 | 30 | 30 | 10 | 1 | |
| | 1000/1 | 10 | 10 | 5 | 5 | 5 | 1 | |
| | 1200/1 | 20 | 20 | 5 | 5 | 5 | 1 | |
| | 1500/1 | 20 | 20 | 10 | 10 | 10 | 1 | |
| 2000/1 | 20 | 20 | 10 | 10 | 10 | 1 | | |
| 2500/1 | 30 | 20 | 10 | 10 | 10 | 1 | | |
| 3000/1 | 30 | 20 | 10 | 10 | 10 | 1 | | |

5 安装附件

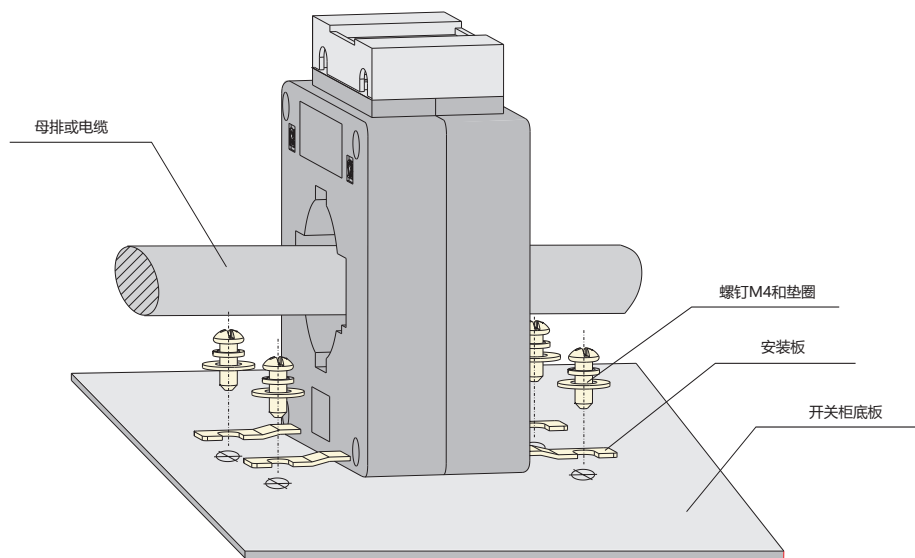


6 安装示意图

母排固定安装示意图



底板固定安装示意图



7 订货须知

用户在订货时，需提供以下信息：

7.1 产品型号及窗口宽度；

7.2 额定电流比；

7.3 额定输出及相应准确级；

例如 订货BH-0.66 I 型，窗口宽度为30mm，额定电流比200/5A、额定输出5VA、准确级0.5级的互感器。

订货代号为：BH-0.66 30 I 200/5A 1匝 5VA 0.5级。

7.4 如有特殊要求时，可与厂家协商定制。



加鹏友圈，请扫一扫